



Company profile

Supmea[®]

Committed to

process automation solutions



Recorder



Flow



Pressure



Temp



Analyzer



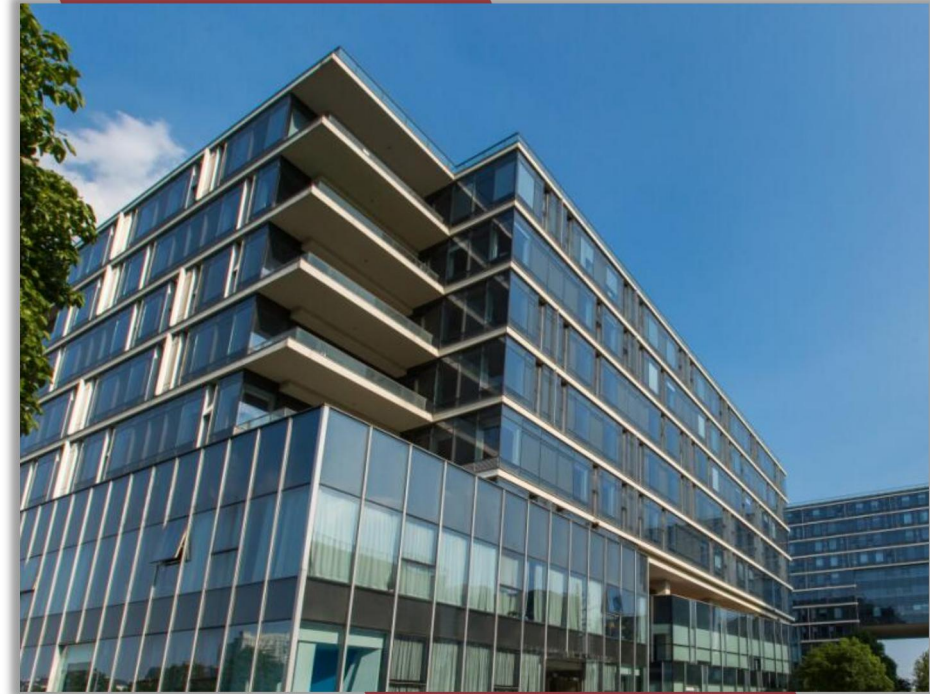
Level

Supmea Automation Co., Ltd

Supmea is committed to industrial process automation sensors and instrument since its establishment for decades. The main products are water analysis instrument, recorder, pressure transmitter, flowmeter and other field instrument.

By 2020, Supmea has a wide quantities of R&D researchers and engineers, more than 250 employees in the total group. With diverse market needs and global customers, Supmea has established and/or in preparation its office in Singapore, Philippines, Malaysia, India etc.

Customer centric, Supmea will continuously be committed process automation sensors and instrument, playing an indispensable role in supporting world industries more intelligent and efficient.





Main product- Recorder



Recorder



Flow



Pressure



Temp



Analyzer



Level





SUP-6000F Paperless Recorder



Introduction

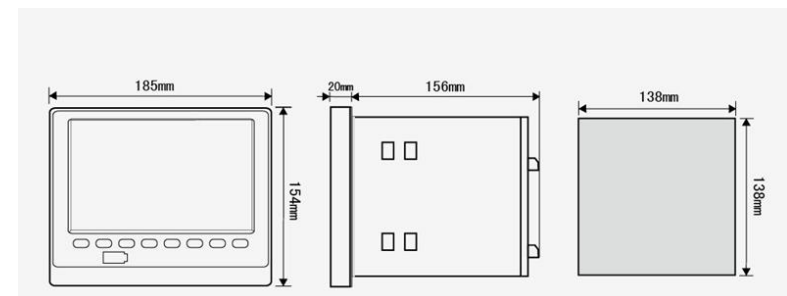
SUP-R6000F Paperless recorder is with outstanding specifications features like high performance and powerful extended functions. With high visibility Color LCD display, it is easy to read data from the meter. Universal input, high speed of sampling speed and accuracy make it reliable for industry or research application.

Parameters

Product	Paperless recorder
Model	SUP-R6000F
Display	7 inch TFT display screen
Input	Up to 36 channels of universal input
Relay output	2A/250VAC, Max 8 channels
Weight	1.06kg
Communication	RS485, Modbus-RTU
Internal memory	128 Mbytes Flash
Power supply	(176~264)VAC, 47~63Hz
Dimensions	193*162*144mm
Shorter mounting depth	144mm
DIN panel cutout	138*138mm



Dimension





Main product- Flowmeter



Recorder



Flow



Pressure



Temp



Analyzer



Level





SUP-LDG Magnetic Flowmeter



Recorder



Flow



Pressure



Temp



Analyzer



Level

Parameters

Product	Electromagnetic flowmeter
Model	SUP-LDG
Diameter Nominal	DN15~DN1000
Nominal Pressure	DN10 - DN250, PN<1.6MPa
	DN300 – DN1000, PN<1.0MPa
	DN1200 – DN2200, PN<0.6MPa
Accuracy	±0.5%, ±2mm/s(flowrate<1m/s)
Repetitiveness	0.2%
Liner material	PFA, F46, Neoprene, PTFE, FEP
Electrode material	Stainless steel SUS316, Hastelloy C, Titanium,
	Tantalum, Platinum-iridium
Medium Temperature	Integral type: -10°C~80°C
	Split type: -25°C~180°C
Ambient Temperature	-10°C~55°C
Power supply	100-240VAC, 50/60Hz / 22VDC—26VDC
Electrical conductivity	Water 20µS/cm other medium 5µS/cm
Structure type	Tegral type, split type
Ingress protection	IP65, IP68(optional)
Product Standard	JB/T 9248-2015



Introduction

SUP-LDG Magnetic flowmeter operate under the principle of Faraday's Law of Electromagnetic Induction to measure liquid velocity. Following Faraday's Law, magnetic flowmeter measure the velocity of conductive liquids in pipes, such as water, acids, caustic and slurry. In order of usage, magnetic flowmeter use in water/waste water industry, chemical, food and beverage, power, pulp and paper, metals and mining, and pharmaceutical application.



Main product- Pressure



Recorder



Flow



Pressure



Temp



Analyzer



Level





SUP-P300 Pressure Transmitter



Introduction

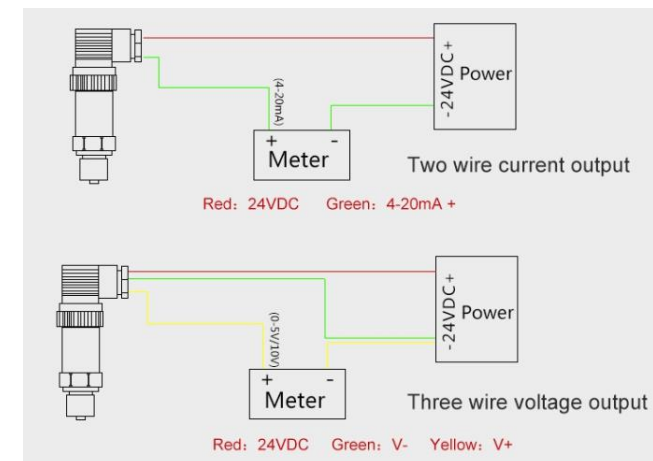
SUP-P300 is a piezoresistive pressure sensor with compact design and stainless steel body SS304 and SS316L diaphragm, can work in the non-causticity environment, with 4-20mA signal output. P300 series is widely applied in pressure measurement for aviation, aerospace, automobile, medical treatment equipment, HVAC etc

Parameters

Product	Pressure transmitter
Model	SUP-P300
Measure range	-0.1MPa~60MPa
Accuracy	0.5% F.S; 0.3%F.S optional
Output signal	4-20mA; 1-5V; 0-10V; 0-5V; RS485
Temperature compensation	-10 ~ 70 °C
Working temperature	-20 ~ 85 °C
Medium temperature	-20 ~ 85 °C
Storage temperature	-40 ~ 125 °C
Pressure overload	150%FS
Power supply	24VDC(9 ~ 36V)



Wiring





Main product- Temperature



Recorder



Flow



Pressure



Temp



Analyzer



Level





SUP-ST500 Temperature Transmitter



Introduction

SUP-ST500 Head Mounted Smart Temperature transmitter is used for Resistance Thermometer(RTD), Thermocouple (TC), Resistance transmitter, Voltage(mV) signal input , two wire 4-20 mA analogue output, mounted inside temperature sensor

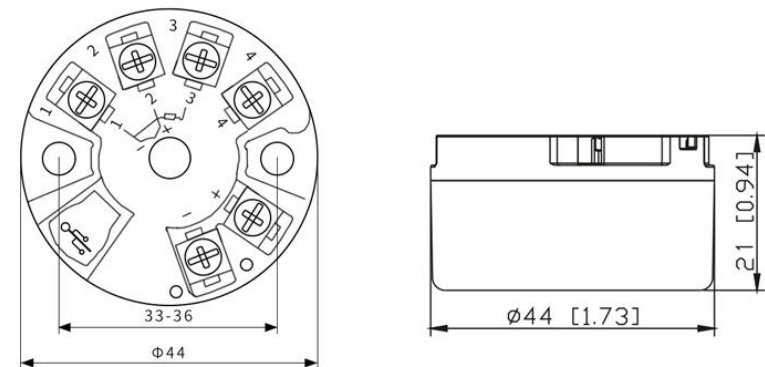


Parameters

Input Type Table:

Model	Type	Measurement scope	Minimum measurement scope
Resistance temperature detector (RTD)	Pt100	-200~850°C	10°C
	Cu50	-50~150°C	10°C
Thermocouple (TC)	B	400~1820°C	500°C
	E	-100~1000°C	50°C
	J	-100~1200°C	50°C
	K	-180~1372°C	50°C
	N	-180~1300°C	50°C
	R	-50~1760°C	500°C
	S	-50~1760°C	500°C
	T	-200~400°C	50°C
	Wre3-25	0~2315°C	500°C
	Wre5-26	0~2310°C	500°C

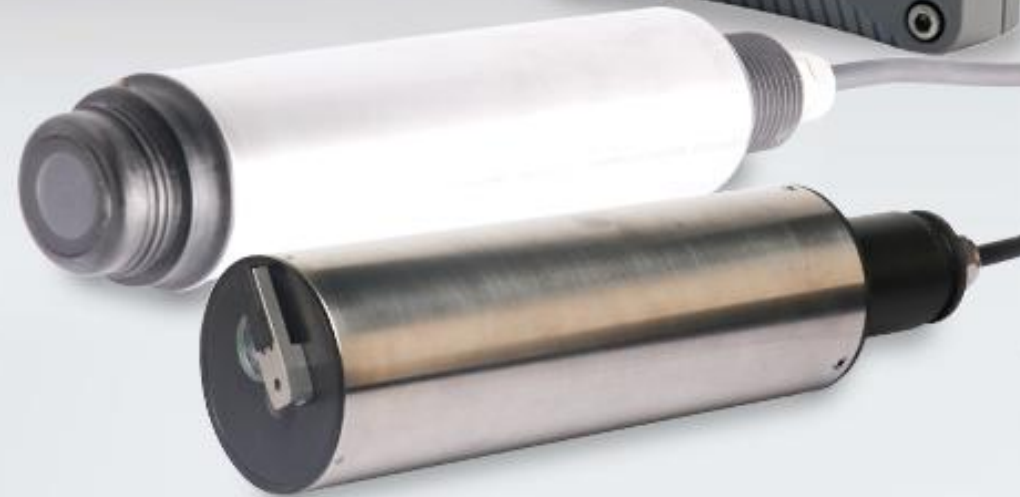
Dimension





Main product- Analyzer

-  Recorder
-  Flow
-  Pressure
-  Temp
-  Analyzer
-  Level





SUP-PH6.0 pH Controller



Recorder



Flow



Pressure



Temp



Analyzer



Level

Introduction

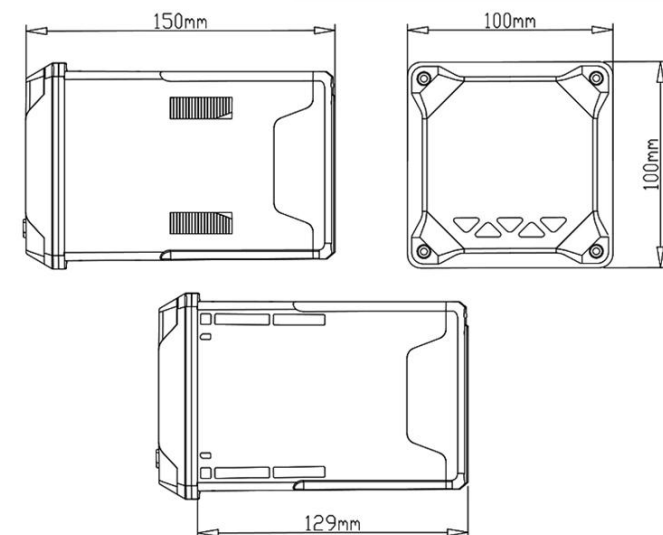
SUP-pH6.0 industrial pH meter is an online pH analyzer which applied in chemical industry metallurgy, environment protection, food, agriculture and so on. With 4-20mA analog signal, RS-485 digital signal and relay output. Can be used for industrial processes and water treatment processes pH control, and support remote data transmission, etc.

Parameters

Product	pH meter, pH controller
Model	SUP-pH6.0
Measure range	pH: 0-14 pH, ±0.02
	ORP: -1000 ~1000mV, ±1mV
Resolution	0.01pH; 1mV
Stability	pH: ≤0.02pH/24h; ORP: ≤3mV/24h
Measuring medium	Liquid
Input Resistance	≥10~12Ω
Temp compensation	Manual/ Auto temperature compensation
Temperature Range	0~100°C, NTC10K or PT1000
Communication	RS485, Modbus-RTU
Signal output	4-20mA, maximum loop 750Ω, 0.01%FS
Power supply	AC220V±10%, 50Hz
Relay output	250V, 3A



Dimension





Main product- Level



Recorder



Flow



Pressure



Temp



Analyzer



Level





SUP-MP-A Ultrasonic Level Meter



Recorder



Flow



Pressure



Temp



Analyzer



Level

Introduction

SUP-MP-A ultrasonic level meter taking the advantages of various many level measuring instruments, is a universal one characterized by total digitalize and humanized design. It has perfect level monitoring, data transmission and man-machine communication. It is featured by strong anti-interference performance; free setting of upper and lower limits and online output regulation, on-site indication.

Parameters

Product	Ultrasonic level meter
Model	SUP-MP-A
Measure range	5、8、10、12、15、20、25、30m
Blind zone	<0.4-1.8m (different for range)
Accuracy	0.3%F.S
Display	OLED
Frequency	20~350KHz
Output (optional)	4~20mA RL>600Ω (standard) 2 relays (AC: 5A 250V DC: 10A 24V)
Material	ABS
Electrical interface	M20X1.5
Power supply	12-24VDC
Power consumption	<1.5W
Protection degree	IP65(others optional)



Dimension

